

Mercedes-Benz Vito Specifications



Mercedes-Benz

Mercedes-Benz Technical Data

Panel Van

Engine Specification

Model	Vito 109 CDI			Vito 115 CDI		
Body Style	Compact	Long High Roof	Extra Long	Compact	Long High Roof	Extra Long
Engine	Diesel turbocharged & intercooled			Diesel turbocharged & intercooled		
No. of cylinders	4/ in line			4/ in line		
Bore/stroke (mm)	88.0/88.3			88.0/88.3		
Total displacement (cc)	2148			2148		
Rated output (kW @ rpm)	65kW @ 3800 rpm			110kW @ 3800rpm		
Max torque (Nm @ rpm)	240Nm @ 1400-2400rpm			330Nm @ 1800-2400rpm		
Injection Type	Common rail-direct injection (CDI)			Common rail-direct injection (CDI)		
Fuel consumption ¹ (litres/100km)	9.1			8.2		

Transmission

Type	6 Speed Manual			5 Speed Auto		
Drive	Rear Wheel			Rear Wheel		

Weightings (kg)

Front axle load	1470			1470		
Rear axle load	1470			1470		
Gross vehicle mass	2770			2770		
Unladen weight ²	1660	1725	1710	1660	1725	1710
Payload capacity	1110	1045	1060	1110	1045	1060
Trailer load with brakes ³	2000			2000		
Trailer load without brakes ³	750			750		

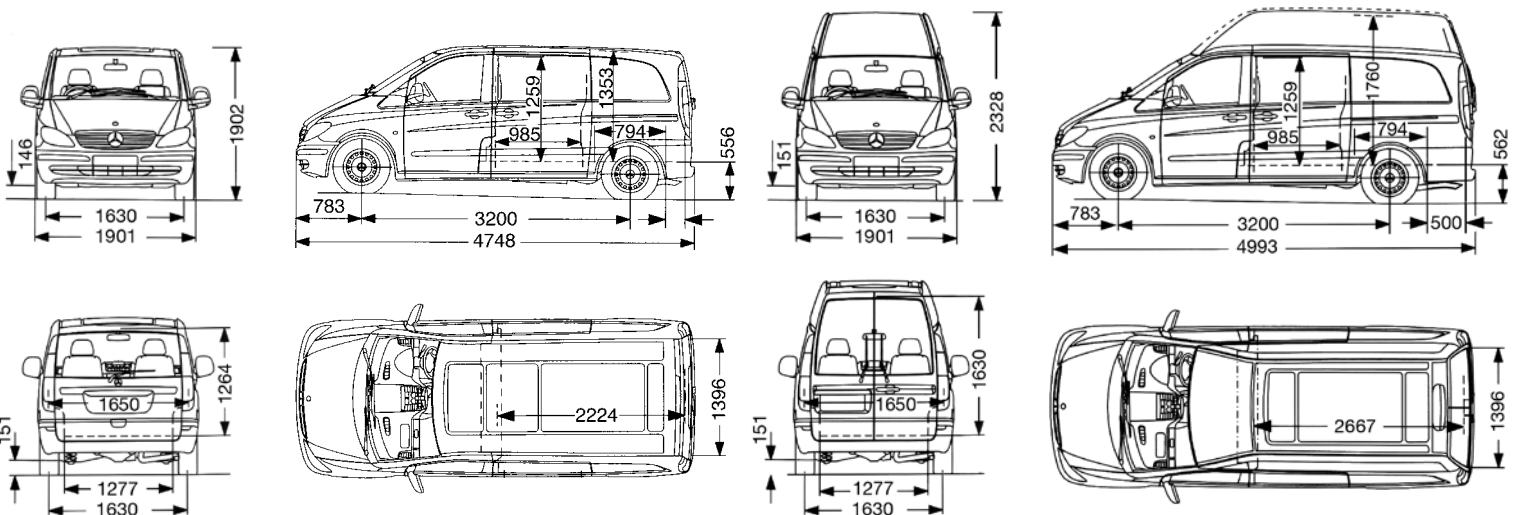
Dimensions (mm)

Wheelbase	3200	3200	3430	3200	3200	3430
Length	4748	4993	5223	4748	4993	5223
Width	1901			1901		
Height	1902	2328	1900	1902	2328	1900
Rear overhang	765	1010	1010	765	1010	1010
Floor loading height	556	562	560	556	562	560
Load compartment (LxWxH)	2422x1650x1353	2667x1650x1760	2897x1650x1348	2422x1650x1353	2667x1650x1760	2897x1650x1348
Load volume (m ³)	4.65	6.49	5.68	4.65	6.49	5.68
Sliding door opening (WxH)	985 x 1259			985 x 1259		
Tailgate opening (WxH)	1396 x 1264	na	1396 x 1264	1396 x 1264	na	1396 x 1264
Barn door opening (WxH)	1396 x 1630			1396 x 1630		
Turning diameter (m)	11.8	11.8	12.5	11.8	11.8	12.5

Other Specification

Rear axle ratio	3.727			3.273		
Battery	12V/74Ah			12V/74Ah		

Dimensions - Van	Compact	Dimensions - Long High Roof (van only)
------------------	---------	--



1/ The above fuel consumptions are in accordance with ADR 81/01 under the Motor Vehicle Standards Act 1989. 2/ Unladen weight of the complete vehicle, including tools, spare wheel, 10 litres of fuel. 3/ Maximum towing capacities depend on individual state legislation. 4/ At floor height/at height of upper edge of seat backrest.

Mercedes-Benz Technical Data

Panel Van

Engine Specification

Model	Vito 119 P	
Body Style	Compact	Extra Long
Engine	Petrol	
No. of cylinders	6/Vee	
Bore/stroke (mm)	89.9/84	
Total displacement (cc)	3199	
Rated output (kW @ rpm)	140kW @ 5600rpm	
Max torque (Nm @ rpm)	270Nm @ 2750-4750rpm	
Injection Type	Electronic fuel injection and ignition	
Fuel consumption ¹ (litres/100km)	12.2	

Transmission

Type	5 Speed Auto	
Drive	Rear Wheel	

Weightings (kg)

Front axle load	1470	
Rear axle load	1470	
Gross vehicle mass	2770	
Unladen weight ²	1660	1710
Payload capacity	1110	1060
Trailer load with brakes ³	2000	
Trailer load without brakes ³	750	

Dimensions (mm)

Wheelbase	3200	3430
Length	4748	5223
Width	1901	
Height	1902	1900
Rear overhang	765	1010
Floor loading height	556	560
Load compartment (LxWxH)	2422x1650x1353	2897x1650x1348
Load volume (m ³)	4.65	5.68
Sliding door opening (WxH)	985 x 1259	
Tailgate opening (WxH)	1396 x 1264	
Barn door opening (WxH)	na	
Turning diameter (m)	11.8	12.5

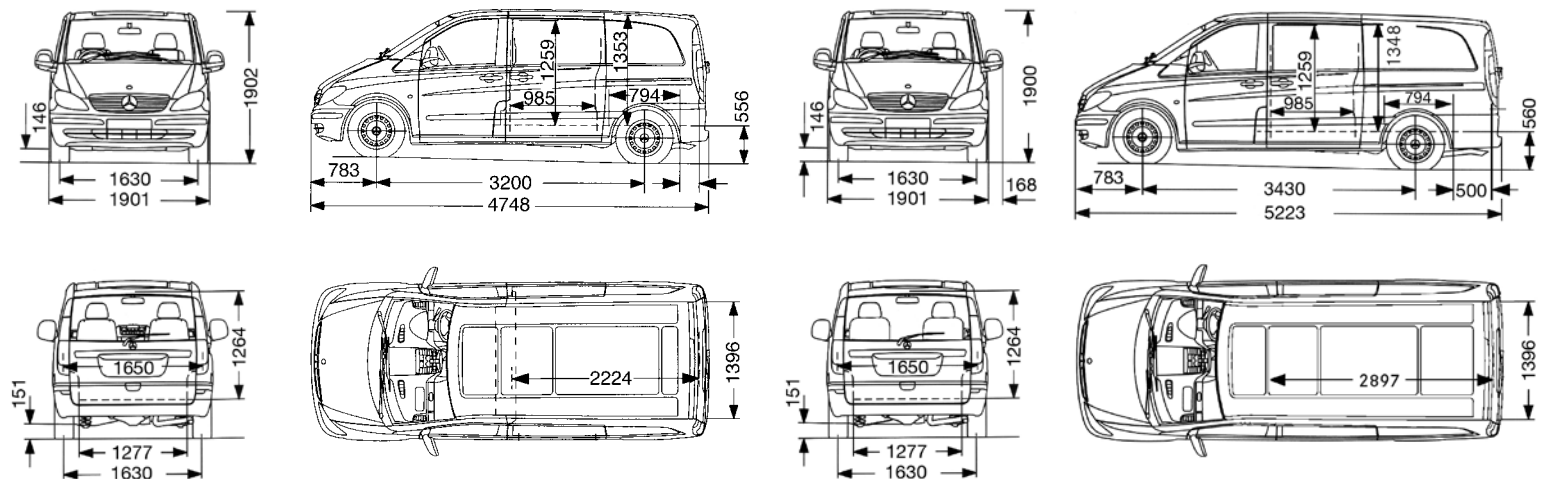
Other Specification

Rear axle ratio	3.727	
Battery	12V/74Ah	

Dimensions - Van

Compact

Extra long



1/ The above fuel consumptions are in accordance with ADR 81/01 under the Motor Vehicle Standards Act 1959. 2/ Unladen weight of the complete vehicle, including tools, spare wheel, 10 litres of fuel. 3/ Maximum towing capacities depend on individual state legislation. 4/ At floor height/at height of upper edge of seat backrest.

Crew Cab

Engine Specification

Model	Vito 109CDI		Vito 115CDI	
	Compact	Extra Long	Compact	Extra Long
Engine	Diesel turbocharged & intercooled		Diesel turbocharged & intercooled	
No. of cylinders	4/ in line		4/ in line	
Bore/stroke (mm)	88.0/88.3		88.0/88.3	
Total displacement (cc)	2148		2148	
Rated output (kW @ rpm)	65kW @ 3800 rpm		110kW @ 3800 rpm	
Max torque (Nm @ rpm)	240Nm @ 1400-2400rpm		330Nm @ 1800-2400rpm	
Injection Type	Common rail-direct injection (CDI)		Common rail-direct injection (CDI)	
Fuel consumption ¹ (litres/100km)	9.1		8.2	

Transmission

Type	6 Speed Manual		5 Speed Auto	
Drive	Rear Wheel		Rear Wheel	

Weightings (kg)

Front axle load	1470		1470	
Rear axle load	1470		1470	
Gross vehicle mass	2770		2770	
Unladen weight ²	1705	1755	1705	1755
Payload capacity	1065	1015	1065	1015
Trailer load with brakes ³	2000		2000	
Trailer load without brakes ³	750		750	

Dimensions (mm)

Wheelbase	3200	3430	3200	3430
Length	4748	5223	4748	5223
Width	1901		1901	
Height	1902	1900	1902	1900
Rear overhang	765	1010	765	1010
Floor loading height	556	560	556	560
Load compartment (LxWxH)	1237x1650x1338	1712x1650x1333	1237x1650x1338	1712x1650x1333
Load volume (m ³)	2.63	3.65	2.63	3.65
Sliding door opening (WxH)	985 x 1259		985 x 1259	
Tailgate opening (WxH)	1396 x 1264		1396 x 1264	
Barn door opening (WxH)	na		na	
Turning diameter (m)	11.8	12.5	11.8	12.5

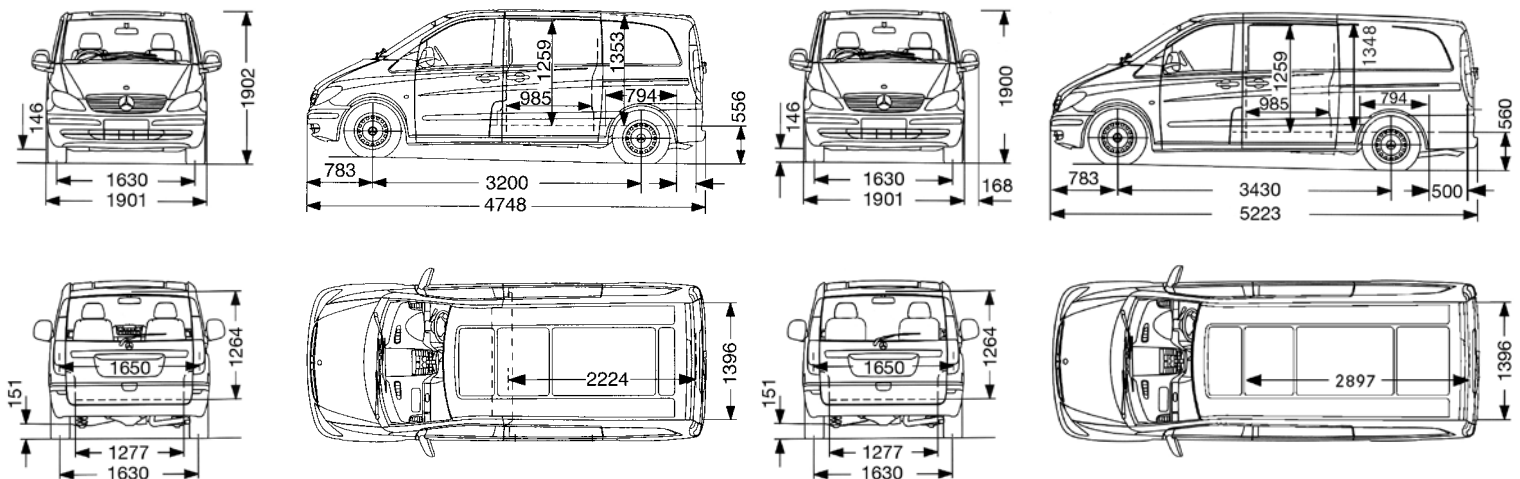
Other Specification

Rear axle ratio	3.727	3.273
Battery	12V/74Ah	12V/74Ah

Dimensions - Crew Cab

Compact

Extra long



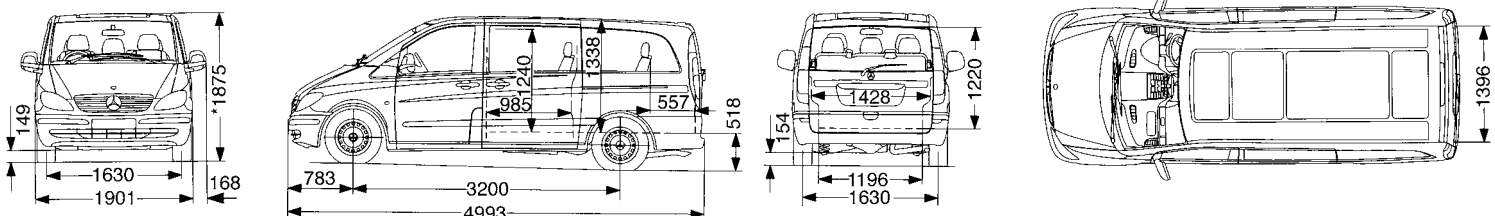
1/ The above fuel consumptions are in accordance with ADR 81/01 under the Motor Vehicle Standards Act 1989. 2/ Unladen weight of the complete vehicle, including tools, spare wheel, 10 litres of fuel. 3/ Maximum towing capacities depend on individual state legislation. 4/ At floor height/at height of upper edge of seat backrest.

Wagon

Engine Specification

Model	Vito 115CDI	Vito 119 P
Engine	Diesel turbocharged & intercooled	V6 Petrol
No. of cylinders	4 / in line	6/Vee
Bore/stroke (mm)	88.0/88.3	89.9/84.0
Total displacement (cc)	2148	3199
Rated output (kW/hp at rpm)	110kW @ 3800 rpm	140kW @ 5,600 rpm
Max torque (Nm at rpm)	330Nm @ 1800-2400 rpm	270Nm @ 2750-4750 rpm
Fuel Supply/Consumption ¹ (litres/100km)	Common rail-direct injection (CDI)/8.2	Electronic fuel injection and ignition/12.2
Transmission		
Type	5 Speed Auto	5 Speed Auto
Drive	Rear Wheel	Rear Wheel
Weightings (kg)		
Front Axle Load	1550	1550
Rear Axle Load	1550	1550
Gross Vehicle Mass	2940	2940
Trailer load with brakes ³	2000	2000
Trailer load without brakes ³	750	750
Dimensions (mm)		
Wheelbase	3200	3200
Length	4993	4993
Width	1901	1901
Height	1875	1875
Rear overhang	1010	1010
Sliding door opening (WxH)	985 x 1240	985 x 1240
Tailgate opening (WxH)	1396 x 1220	1396 x 1220
Turning diameter (m)	11.8	11.8
Seating Standard/Optional	8/9 seats (optional front bench seat)	8/9 seats (optional front bench seat)
Luggage compartment Length (mm)		
with full complement of seats	724/557	724/557
only 1 passenger seat row ⁴	1649/1482	1649/1482
Luggage compartment width	1196	1196
Interior height	1338	1338
Luggage compartment volume (to upper edge of seat backrest) litres		
with full complement of seats	953	953
only 1 passenger seat row	1896	1896
Service Intervals (kms)	22,500	22,500
Top Speed (km/h)	181	181
Tyre profile	205/65 R16	205/65 R16
Rim Size (inches)	16x6.5J	16x6.5J
Max roof load (kg)	150	150
Gear Ratios 1/2/3/4/5	3.595/2.186/1.405/1.0/0.831	3.595/2.186/1.405/1.0/0.831
Reverse	3.167	3.167
Rear Axle Ratio	3.273	3.727

Dimensions - Wagon



Standard Equipment

	Panel Van	Crew Cab	Wagon
Standard Exterior Features			
Dual adjusting sliding doors	●	●	●
Adjustable exterior mirrors	●	●	●
Integrated windscreen washer nozzle on wipers	●	●	●
Heated rear window with washing/wiper	●	●	●
Fixed left and right windows	○	●	●
Full wheel covers	○	○	●
Heat absorbing glass	*	*	●
Mudflaps - rear	●	●	-
Standard Interior Feature			
Air conditioning	*	*	●
Power front windows	●	●	●
Manual rear vent windows	-	-	●
Power steering	●	●	●
Remote central locking	●	●	●
Driver authorisation system including engine immobiliser	●	●	●
Stylish cloth upholstery	●	●	●
Security coded single CD with AM/FM tuner	●	●	●
4-way adjustable driver and passenger seat	●	●	●
Heater/demister plus five blower settings	●	●	●
Two storage trays and cup holder on dash board	●	●	●
Hinged lid on dashboard storage tray	-	-	●
Large door pockets on driver and passenger side	●	●	●
2-speed wipers plus intermittent function	●	●	●
Lights-on warning buzzer	●	●	●
Passenger side grab handle	●	●	●
Tailgate grab strap	●	●	●
Lock-out prevention	●	●	●
Park brake warning buzzer	●	●	●
Interior panelling	●	●	●
Outside temperature gauge	●	●	●
Luxury Roof trim	-	-	●
Luxury Driver & Passenger seats	-	-	●
One rear cloth 3 seat bench	-	●	●
Two rear cloth bench seats	-	-	●
Ruffled Backrest Pockets	-	-	●
Quick-Fit system allowing rear seats to be removed	-	-	●
8 x two way speaker system	-	-	●
Overhead reading lamps	-	-	●
12V plugs in rear	-	●	●
Front and rear cup holders	-	-	●
Underfoamed plastic floor	-	-	●
Standard Safety Features			
ESP - Electronic Stability Program	●	●	●
ABS - Anti Locking Braking System	●	●	●
ASR - Acceleration Slip Regulation	●	●	●
EBD - Electronic Brake Force Distribution	●	●	●
BAS - Brake Assist	●	●	●
Driver side airbag	●	●	●
Passenger side airbag	○	○	●
Four wheel disc brakes	●	●	●
Height adjustable head restraints	●	●	●
3-point inertia reel seat belts with pretensioners	●	●	●
Height adjustable seat belts	●	●	●
Front and rear brake pad wear indicators	●	●	●
Adjustable steering column	●	●	●
Rear centre stop light	●	●	●
Headlight beam range control	●	●	●
Halogen front and rear fog lamps	●	●	●
Child safety locks	-	●	●

Optional Equipment

	Panel Van	Crew Cab	Wagon
Features			
Air conditioning	*	*	●
Electric heated mirrors	○	○	●
16" alloy rims	○	○	○
Metallic paint	○	○	○
Paint (standard arctic white)	○	○	●
Colour coding	○	○	○
Centre storage bin and in-dash 4-CD box	○	○	○
Roof trim (full length hardboard) & interior light	○	○	-
Hardboard Roof trim to C pillar	-	●	-
Rear barn doors (standard on high roof van)	○	○	-
Front passenger bench seat	○	○	○
6 - seat version (3 seats across front)	-	○	-
9 - seat version (3 seats across front)	-	-	○
Speedtronic cruise control	○	○	○
Vehicle alarm system	○	○	○
Sunroof	-	-	○
Windows in sliding doors	-	-	○
Wood Flooring	○	●	-

Warranty

DaimlerChrysler Australia/Pacific Pty. Ltd. offers a warranty on Vito of 3 years/100,000km (whichever occurs first) and a 24 hour Mercedes-Benz Van Roadcare support package, for the duration of the warranty period.

SPECIFICATIONS AND INFORMATION REFERRED TO HEREIN WERE CORRECT AT THE TIME OF PUBLICATION. SOME OF THE EQUIPMENT DEPICTED EITHER ON VEHICLE ILLUSTRATIONS OR SEPARATELY MAY BE NON-STANDARD OR OPTIONAL AT EXTRA COST. DAIMLERCHRYSLER AUSTRALIA/PACIFIC PTY. LTD. RESERVES THE RIGHT TO DISCONTINUE OR MODIFY ANY VEHICLE OR OPTIONAL EQUIPMENT AT ANY TIME WITHOUT PRIOR NOTICE TO MEET ANY REQUIREMENT OF A MANUFACTURING OR COMMERCIAL NATURE WHICH IT MAY DEEM APPROPRIATE. CONSULT YOUR AUTHORISED MERCEDES-BENZ LIGHT COMMERCIAL DEALER FOR THE LATEST DETAILS ON SPECIFICATION, OPTIONS, PRICES AND AVAILABILITY.

* Air-conditioning and heat absorbing glass optionally available on 109 CDI, and standard on 115 CDI and 119 P models.

● Standard Equipment

○ Optional Equipment

- Not available

Authorised Dealer:

DaimlerChrysler Australia/Pacific Pty. Ltd.

ACN 004 411 410

Lexia Place, P.O. Box 4214, Mulgrave, Vic. 3170

For your nearest dealer location or more information call 1300 36 63 72

www.mercedes-benz.com.au